



doucette
industries, inc

Item # BPH 30E, Braze Plate Heat Exchangers (2 to 50 TR)

Compact High-Efficiency Heat Transfer Systems

Doucette Continues to Transform the Heat Exchanger Industry

The compact size, low refrigerant charge, and superior heat transfer characteristics of Doucette's Braze Plate Heat Exchangers make them ideal for evaporator, condenser and sub-cooler applications. Available for virtually any duty, the Braze Plate Heat Exchangers are available with copper or nickel brazing materials. Standard units have 316 Stainless Steel plates with copper brazing and sweat connections. U.L. listed for 650 psig DWP. Evaporator models above a certain number of plates include internal refrigerant distribution features, assuring proper distribution of refrigerant gas for maximum efficiency and proper superheat.



Call dii

Specifications

TR	30
Refrig. In	1 3/8 "
Refrig. Out	2 1/8 "
Water Conn.	2 "
Width	7.5 "
Height	24.5"
Depth	10.7 "
DWP	650 psig
Weight	89 lbs
Installation Recommendation	To prevent premature clogging from open water loops install a 16-20 mesh strainer in the inlet water line to the heat exchanger. System controls should include a calibrated low pressure cutout or Evaporator Pressure Regulator properly set to prevent freeze-up.



20 Leigh Drive,
York, Pennsylvania 17406-8474



Website: www.doucetteindustries.com



Phone: 717-845-8746
Toll-free: 800-445-7511
Fax: 717-845-2864



Commercial/Industrial: AdamM@doucetteindustries.com
Residential/Light Commercial: AdamM@doucetteindustries.com



Brazed Plate - The New Standard in Heat Transfer

Brazed plate heat exchangers are carving a big chunk out of the heat transfer industry with their compact size and high efficiency design. Brazed plate units are up to six times smaller than alternative methods of heat exchange with the same capacity. The key lies in their unique construction. Up to 150 corrugated stainless steel plates are brazed together with every second plate turned 180 degrees. This design creates two highly turbulent fluid channels that flow in opposite directions over a massive surface area. The result, a significantly higher heat transfer coefficient with less required surface area and outstanding performance characteristics.

Compact, Durable and Low-Maintenance

The compact size of Doucette's brazed plate heat exchangers means lower shipping and installation costs, and their lightweight design makes maneuvering much easier. Despite these features, no compromises are made on strength, as the brazing process welds the plates together at thousands of contact points in each unit. The benefits are easily recognized, exceptional durability along with higher operating pressures and temperatures. The 316SS construction of brazed plate heat exchangers also provides superior corrosion resistance, and fouling is virtually eliminated by the self-cleaning effect generated through high induced turbulence.

The Highest Quality for a Lower Investment

Doucette's brazed plate heat exchangers are assembled from a very small number of machine formed parts, resulting in significantly less manufacturing time and reduced costs to the end user. Machine formed parts also mean product quality and performance parameters are easily met. And every Doucette brazed plate heat exchanger must pass careful checks on quality, as well as compliance with specifications and dimension tolerances.



20 Leigh Drive,
York, Pennsylvania 17406-8474



Phone: 717-845-8746
Toll-free: 800-445-7511
Fax: 717-845-2864



Website: www.doucetteindustries.com



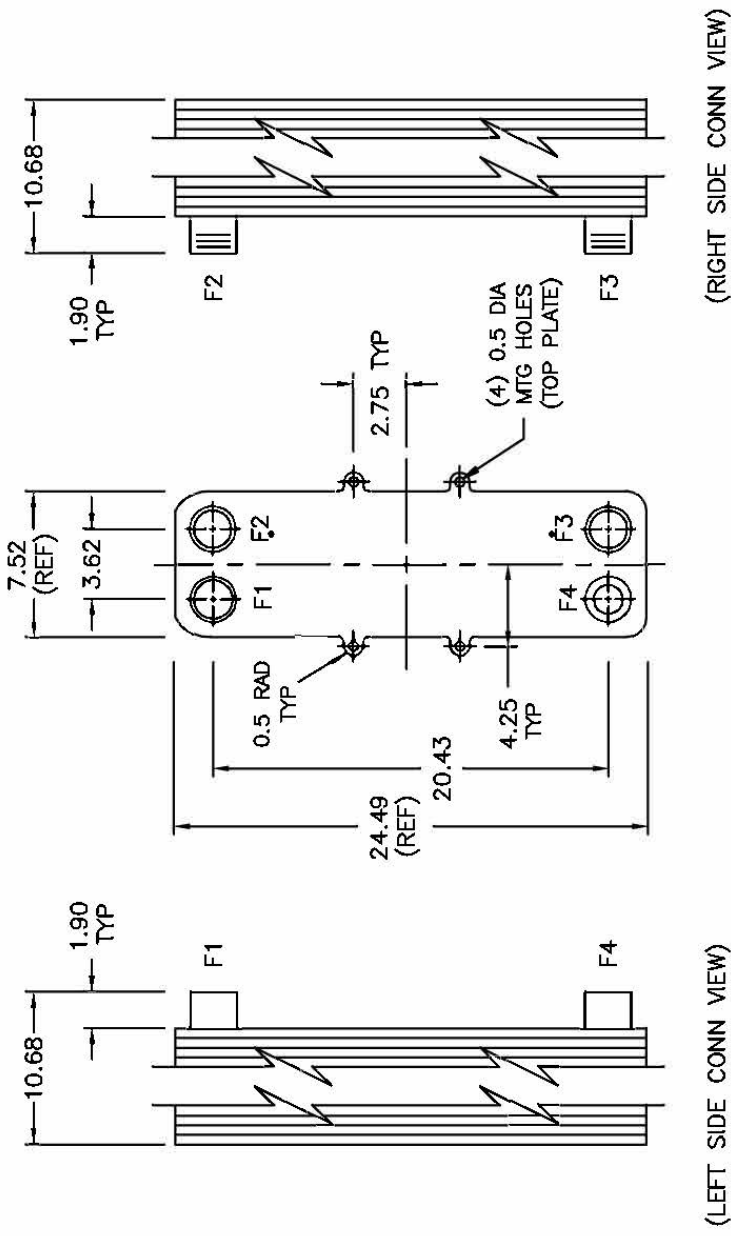
Commercial/Industrial: AdamM@doucetteindustries.com
Residential/Light Commercial: AdamM@doucetteindustries.com



doucette
industries, inc

This document contains material and/or information which is the property of Doucette, and supplied only on a confidential basis. NO transmittal or disclosure shall be made to any person, firm, or corporation without prior written approval of Doucette.

ORDER NO (REF):	REVISION NOTES	MADE BY	DATE
-----------------	----------------	---------	------



NOTE:
1. DIMENSIONS SHOWN IN INCHES (in).

PORT / LOCATION	CONNECTION TYPE	UNIT RATINGS		UNIT CONSTRUCTION
		DSGN PRES.	TEST PRES.	
F1	2-1/8" SWEAT, 316L SS	650 PSI		
F4	* 1-3/8" SWEAT, 316L SS	780 PSI	PLATE MTL: 316L SS	
F2	2" MPT, 316L SS	450 °F	BRAZE MTL: COPPER	
F3	2" MPT, 316L SS	-310 °F		
		*	DISTRIBUTOR TYPE: E	DRAWING NUMBER
			EST SHIP WT: 89 LBS	5-695-22-072-008

MADE MH 05/06/16
CHECK MH 05/06/16
TITLE Model BPH 30E
DRAWING NUMBER 5-695-22-072-008
REV.



20 Leigh Drive,
York, Pennsylvania 17406-8474



Phone: 717-845-8746
Toll-free: 800-445-7511
Fax: 717-845-2864



Website: www.doucetteindustries.com



Commercial/Industrial: AdamM@doucetteindustries.com
Residential/Light Commercial: AdamM@doucetteindustries.com