



doucette
industries, inc

Item # CUY 25M5, Hydronic Series Liquid to Liquid Heat Exchangers

Boiler Water to Domestic Water for Freeze Protection, District Heating, Cogeneration and Solar Energy applications

Vented Double-Wall, Mechanically Cleanable, Tube-in-Tube



Specifications

Application	Potable
Heat Transfer	500,000 Btuh
Length	52 "
Width	15 "
Height	34 "
Hot Conn	1 3/8 "
Cold Conn	1 3/8 "
Weight	375 lbs

Benefits

- Vented double-wall construction prevents cross contamination
- Compatible material for easy installation
- Clog-resistant and mechanically cleanable
- High-performance counterflow design
- Compact, rigid design is ready to install

Features

Available in all-copper construction, the Hydronic Series provides desirable material compatibility for fast and easy installation. The series is also available in 90-10 cupronickel and stainless steel for highly corrosive applications. The Hydronic Series is available in sizes from 50,000 Btu's through 1,000,000 Btu's and Doucette Industries will custom design models for specific applications.



20 Leigh Drive,
York, Pennsylvania 17406-8474



Website: www.doucetteindustries.com



Phone: 717-845-8746
Toll-free: 800-445-7511
Fax: 717-845-2864



Commercial/Industrial: AdamM@doucetteindustries.com
Residential/Light Commercial: AdamM@doucetteindustries.com



Other Applications

- Snow Melt
- Freeze Protection
- Domestic Hot Water
- Industrial Processes
- District Heating Facility
- Solar Energy
- Cogeneration

Rating Conditions and Specifications

Hotside: Boiler Water entering at 180°F, leaving at 160°F. Pressure Drop < 2 psig

Coldside: Domestic Water entering at 100°F, leaving at 140°F. Pressure Drop < 4 psig

Design Pressure: 300psig both circuits



20 Leigh Drive,
York, Pennsylvania 17406-8474



Phone: 717-845-8746
Toll-free: 800-445-7511
Fax: 717-845-2864



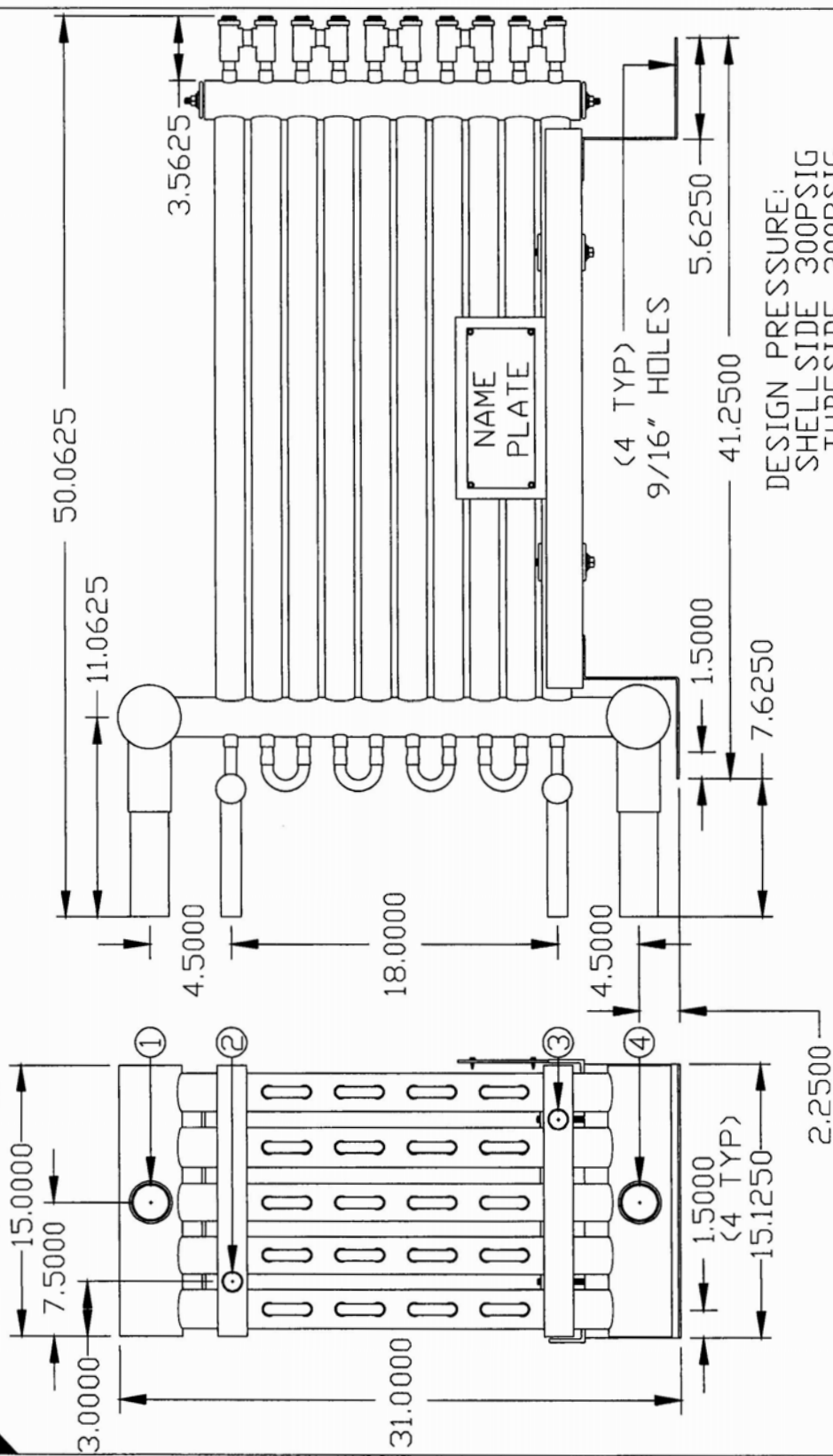
Website: www.doucetteindustries.com



Commercial/Industrial: AdamM@doucetteindustries.com
Residential/Light Commercial: AdamM@doucetteindustries.com



rk User, Doucette Industries 1/26/2016 12:46 PM CUY-25M5-1P-10SC



DESIGN PRESSURE:
SHELLSIDE 300PSIG
TUBESIDE 300PSIG

DOUCETTE INDUSTRIES, INC.

TOLERANCES	DECIMAL	.125	SCALE	.125	DRAWN BY:	RLK
	FRACTIONAL	+			APP. BY:	RJR
					TITLE	CUY 25M5/1P-10SCC (F) HP
					DATE	1/26/16
					DRAWING NUMBER	
					ALL DIMENSIONS INCHES, UNLESS SPECIFIED	

CONNECTIONS:

1.) HOT SUPPLY	2-1/8"	DD	COPPER	SWEAT
2.) COLD RETURN	1-3/8"	DD	COPPER	SWEAT
3.) COLD SUPPLY	1-3/8"	DD	COPPER	SWEAT
4.) HOT RETURN	2-1/8"	DD	COPPER	SWEAT



20 Leigh Drive,
York, Pennsylvania 17406-8474



Website: www.doucetteindustries.com



Phone: 717-845-8746
Toll-free: 800-445-7511
Fax: 717-845-2864



Commercial/Industrial: AdamM@doucetteindustries.com
Residential/Light Commercial: AdamM@doucetteindustries.com