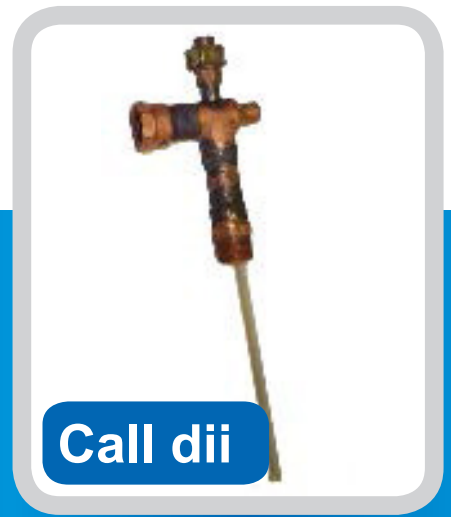




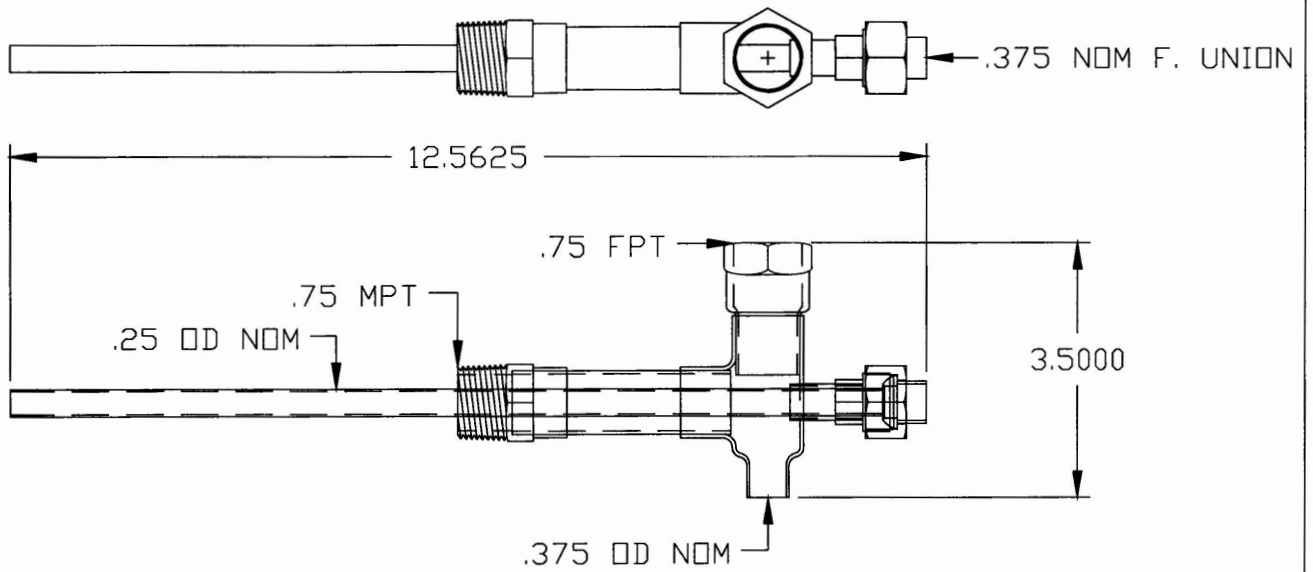
**doucette**  
industries, inc



# Item # IK-5, Installation Kit

Call dii

Network User, Doucette Industries 2/23/2015 2:13 PM 96660.dwg



DESIGN PRESSURE: 150PSIG

TOLERANCES		DOUCETTE INDUSTRIES, INC.	
DECIMAL ±		SCALE .500	DRAWN BY: RLK APP. BY: RJR
FRACTIONAL ±	TITLE	IK-5	
ANGULAR ±	DATE	1/5/15	DRAWING NUMBER 96660
GAUGE	ALL DIMENSIONS INCHES, UNLESS SPECIFIED		



20 Leigh Drive,  
York, Pennsylvania 17406-8474



Website: [www.doucetteindustries.com](http://www.doucetteindustries.com)



Phone: 717-845-8746  
Toll-free: 800-445-7511  
Fax: 717-845-2864

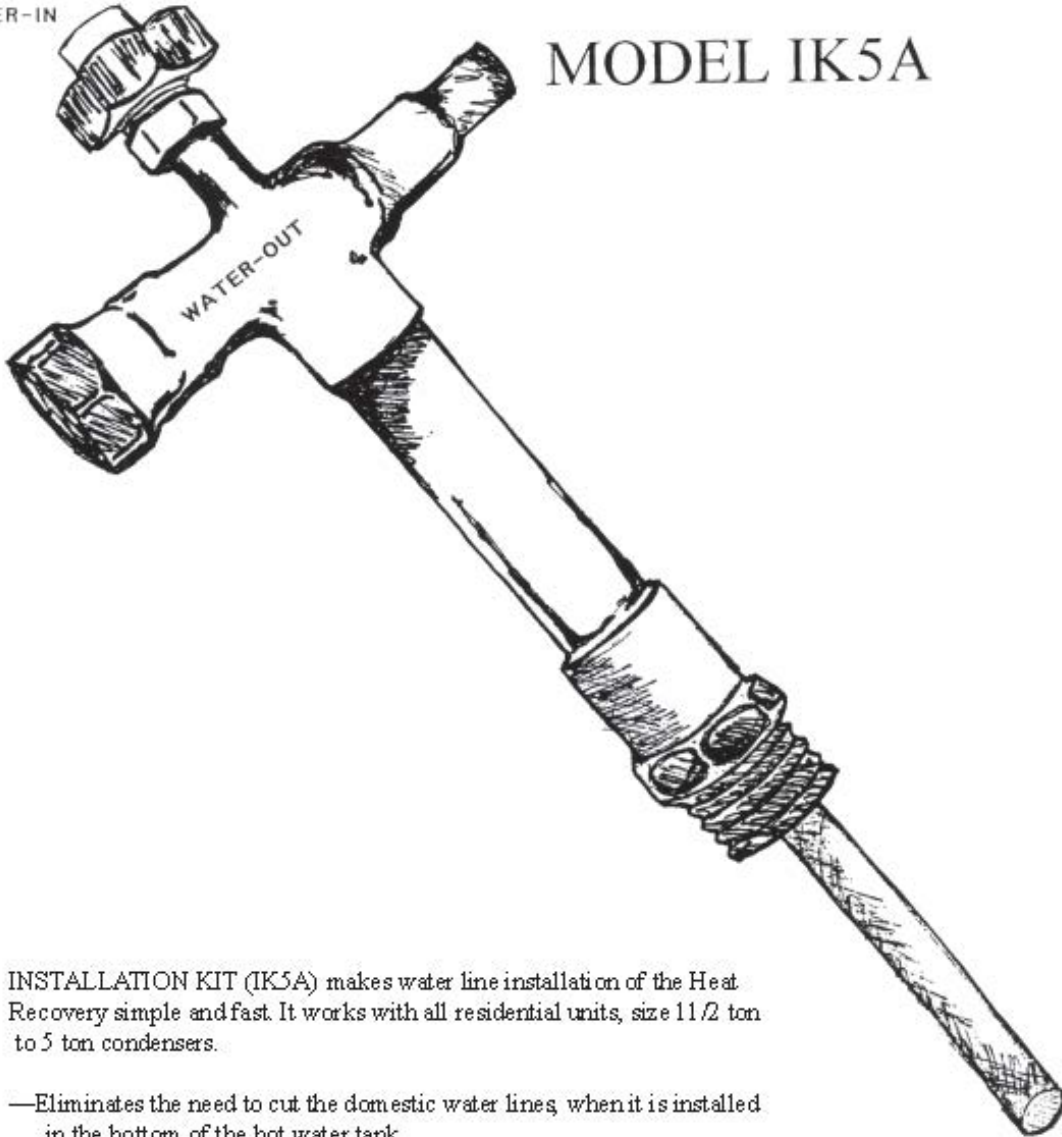


Commercial/Industrial: [AdamM@doucetteindustries.com](mailto:AdamM@doucetteindustries.com)  
Residential/Light Commercial: [AdamM@doucetteindustries.com](mailto:AdamM@doucetteindustries.com)



**doucette**  
industries, inc

WATER-IN



MODEL IK5A

INSTALLATION KIT (IK5A) makes water line installation of the Heat Recovery simple and fast. It works with all residential units, size 1 1/2 ton to 5 ton condensers.

- Eliminates the need to cut the domestic water lines, when it is installed in the bottom of the hot water tank.
- Eliminates hot and cold water temperature variations resulting from water sitting in the lines, due to cycling on and off in the air conditioner.
- One piece-copper construction, eliminates leads, yet provides for a drain on the hot water tank.
- Extends only 7 inches out from the tank when installed at the bottom of the water tank.
- Versatile: can be used in either the top or the bottom of the water tank.



20 Leigh Drive,  
York, Pennsylvania 17406-8474



Phone: 717-845-8746  
Toll-free: 800-445-7511  
Fax: 717-845-2864



Website: [www.doucetteindustries.com](http://www.doucetteindustries.com)



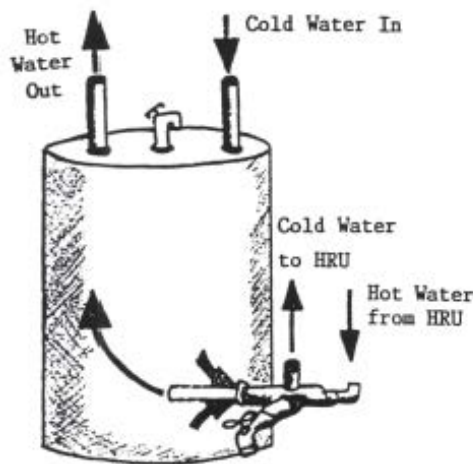
Commercial/Industrial: [AdamM@doucetteindustries.com](mailto:AdamM@doucetteindustries.com)  
Residential/Light Commercial: [AdamM@doucetteindustries.com](mailto:AdamM@doucetteindustries.com)



## INSTALLATION-BOTTOM OF THE TANK

### TURN OFF ALL WATER AND ELECTRICAL POWER

#### INSTALLATION BOTTOM OF WATER TANK

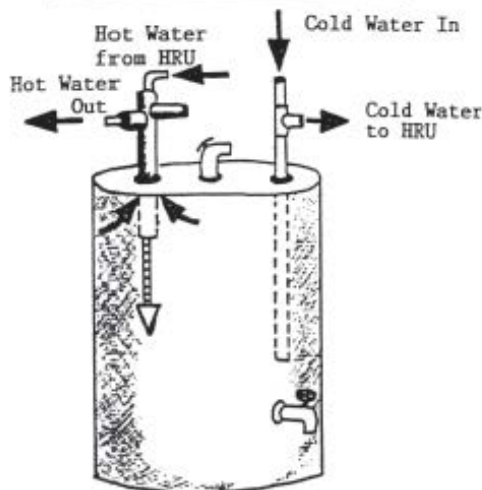


1. Drain and clean tank. (Loose material in tank can clog piping, pump and the heat exchanger).
2. Remove hose bib from tank and screw into 3/4" female coupling in the side of the IK5A. (Use plumbers tape). If the hose bib can not be used, replace with a new one with 3/4" male thread.
3. Unscrew compression nut and remove plastic tube.
4. Run 1/2" line through nut and solder to compression fitting on "Water-in" opening in the IK5A.
5. Install IK5A into water tank.
6. Solder 1/2" line from HRU "Water-In" connection to IK5A side connection marked "Water-Out".
7. Re-insert plastic tube into "Water-In" opening on IK5A.
8. Connect "Water-Out" tube from HRU to "Water-In" tube on IK5A.

## INSTALLATION- TOP OF THE TANK

### TURN OFF ALL WATER AND ELECTRICAL POWER

#### INSTALLATION TOP OF WATER TANK



1. Crimp and solder closed side connection, marked "Water-Out".
2. Provide a 3/4" male pipe thread to solder adapter (size to same size as hot water line from water tank to the house) and screw into female threaded side of IK5A.
3. Cut hot water line out, above the tank: and remove 3/4" male adapter from the tank.
4. Screw the IK5A into the tank where the hot water line out was removed. (Use plumbers tape).
5. Repeat steps 3 through 8 on Bottom of Tank Installation directions (except step 6).
6. The HRU "Water-In" tube can be connected to a Tee in the cold water supply above the tank.



20 Leigh Drive,  
York, Pennsylvania 17406-8474



Phone: 717-845-8746  
Toll-free: 800-445-7511  
Fax: 717-845-2864



Website: [www.doucetteindustries.com](http://www.doucetteindustries.com)



Commercial/Industrial: [AdamM@doucetteindustries.com](mailto:AdamM@doucetteindustries.com)  
Residential/Light Commercial: [AdamM@doucetteindustries.com](mailto:AdamM@doucetteindustries.com)