



Item # VIB 11, Vibration Absorbers

Minimize compressor and pump vibration right at the source with Doucette Industries' Vibration Absorbers. The original flexible connectors that are still standards of the industry. Custom lengths, connections and design pressures are available.

Specifications	
Hose ID	1-1/2 "
Conn ID	1-5/8 " copper sweat
Length	17 "
Material	Bronze hose and braid
DWP	420 psig
Weight	3 lbs
Other Certifications	UL File No. 6270 (UL and cUL Listed), ISO9001:2015

Features

- Absorb vibration and noise in refrigeration and air conditioning systems
- Extended compressor life by relieving stress on housing and cutting down bearing wear
- Prevent leakage at tube connections and cut service costs
- Long-life stainless steel construction
- Each unit individually tested and cleaned, then sealed in polyethylene bag
- Approved and specified by major compressor manufacturers.
- All parts are fabricated by certified brazers
- All stainless steel units are constructed with stainless steel hose and braid, copper sweat connections
- UL File No. 6270 (UL and cUL Listed)

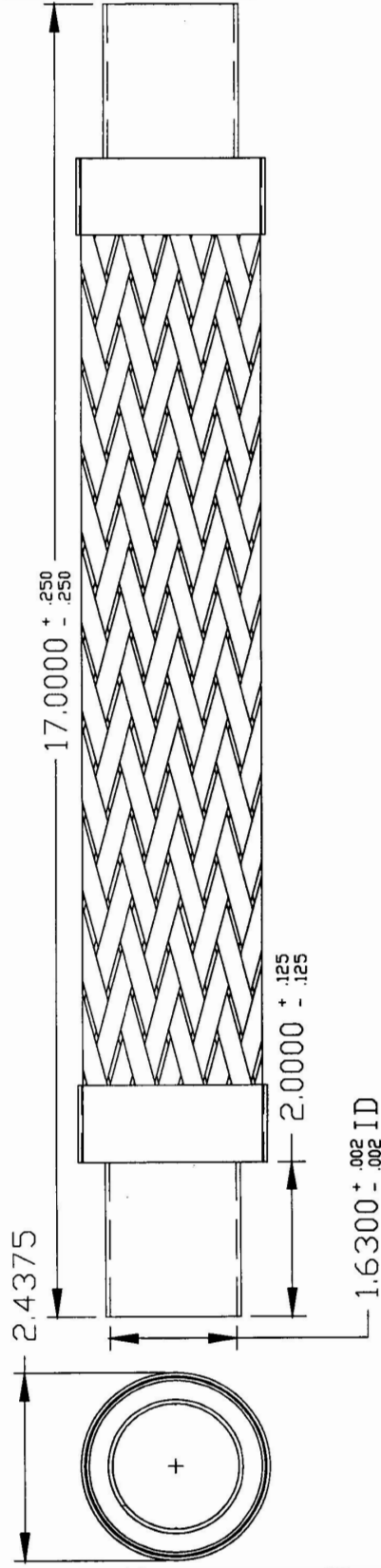
Warning

For applications below freezing, condensation may collect and freeze under braid, collapsing convolutions. Wrap entire length of Vib-Absorber with vapor barrier tape, heat shrink P.V.C. or seal with other waterproof material.





Network User, Doucette Industries 3/30/2015 12:15 PM 91911.dwg



DESIGN PRESSURE: 420PSIG

TOLERANCES	DOUCETTE INDUSTRIES, INC.		
DECIMAL	SCALE	DRAWN BY:	MLB
±	.500	APP. BY:	RJR
FRACTIONAL	TITLE		
±	VIB 11, BULK		
ANGULAR	DATE	DRAWING NUMBER	91911
±	3/6/06		
GAUGE	ALL DIMENSIONS INCHES, UNLESS SPECIFIED		



20 Leigh Drive,
York, Pennsylvania 17406-8474



Website: www.doucetteindustries.com



Phone: 717-845-8746
Toll-free: 800-445-7511
Fax: 717-845-2864



Commercial/Industrial: AdamM@doucetteindustries.com
Residential/Light Commercial: AdamM@doucetteindustries.com