



doucette
industries, inc



Call dii

Item # DC 80, DC Series Chemically Cleanable Desuperheaters (5 to 100 tons)

Heat recovery unit for domestic hot water from air conditioning and refrigeration systems up to 100 tons

DC Series Chemically Cleanable Commercial Desuperheaters recycle rejected heat from your air conditioning or refrigeration system and use it to heat water or other fluids. At the same time, desuperheating lowers refrigerant temperature and pressure, reducing energy input to the compressor. You save by reducing or eliminating the energy required for water heating while increasing the efficiency of the air conditioning/refrigeration system.

- Heats potable water up to 140 °F using waste heat
- Typical Payback Period of Two Years or Less
- Reduces A/C operating costs 5% to 10%
- Chemically Cleanable Counterflow Design
- Compact and Ready to Install
- Works with All Major Manufacturers' Systems

Specifications

TR	80 tons	
Application	<ul style="list-style-type: none"> • Domestic Hot Water Heating • Process Water Heating • Space Heating • Pool Heating • Hot Deck Reheat • Sub-Soil Heating 	<ul style="list-style-type: none"> • Restaurants • Hotels/Motels • Hospitals • Schools • Food Processing • Ice Rinks • Dormitories
# Circuits	1	
Cleanability	Chemical	
Refrig. Conn.	2-5/8" OD	



20 Leigh Drive,
York, Pennsylvania 17406-8474



Website: www.doucetteindustries.com



Phone: 717-845-8746
Toll-free: 800-445-7511
Fax: 717-845-2864



Commercial/Industrial: AdamM@doucetteindustries.com
Residential/Light Commercial: AdamM@doucetteindustries.com

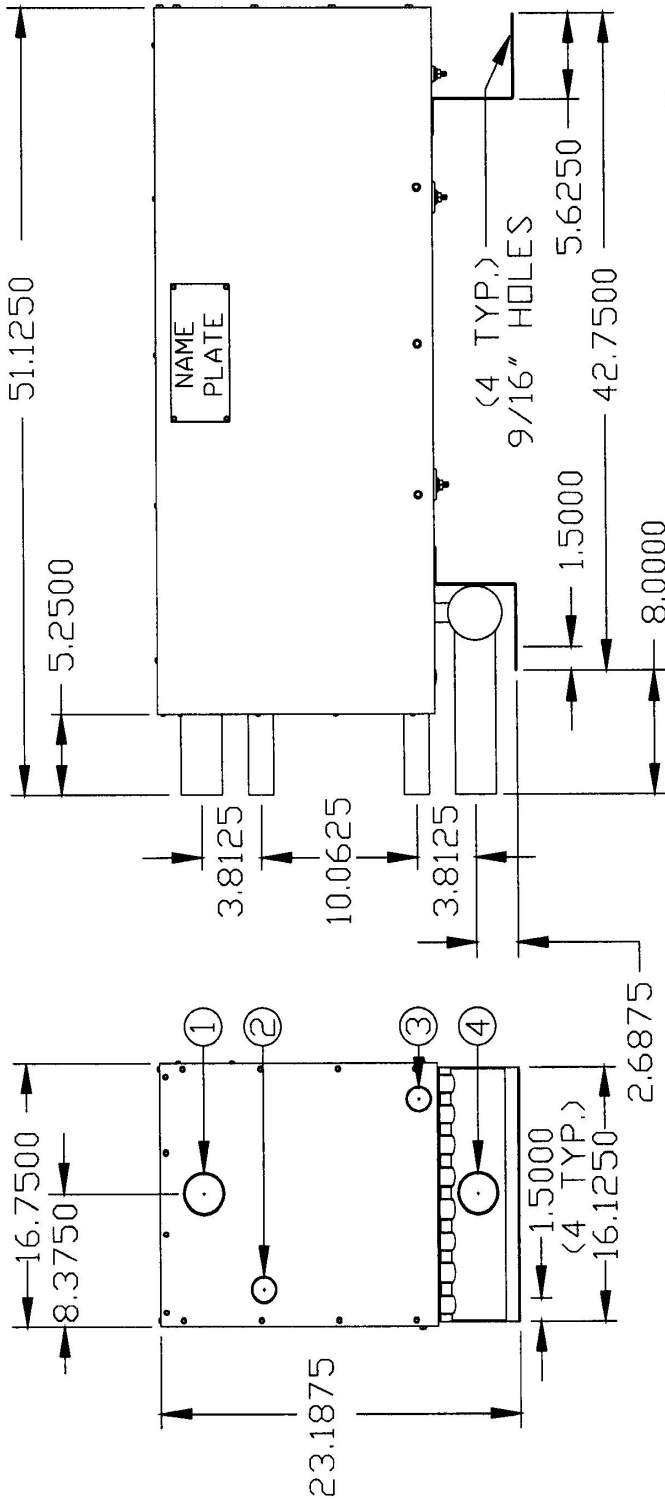


Water Conn.	1-5/8" OD
Length	51-1/8 "
Width	16-3/4 "
Height	23-3/16 "
Weight	520 lbs

Mechanical Specifications

Optional Pump	Grundfos UP43-75BF, Circulating Pump (\$1,585.00)
Heat Exchanger	Chemically cleanable, vented double wall, U.L. listed, 450 psig shell side DWP (optional 600 psig), 300 psig tube side DWP
Cabinet	0.040" Aluminum Alloy, insulated, weather-resistant cabinet, with removable service panel. Bottom mounting rails provided as standard.





DESIGN PRESSURE:
SHELLSIDE 450PSIG
TUBESIDE 300PSIG

TOLERANCES	DOUCETTE INDUSTRIES, INC.	
DECIMAL	SCALE	DRAWN BY: RLK
± .125	.09375	APP. BY: RJR
FRACTIONAL	TITLE	DC 80 (C)
±	DATE	1/6/16
	DRAWING NUMBER	96322
GAUGE 20	ALL DIMENSIONS INCHES, UNLESS SPECIFIED	

CONNECTIONS:	2-5/8" OD COPPER SWEAT
1.) REFRIGERANT SUPPLY	1-5/8" OD COPPER SWEAT
2.) WATER RETURN	1-5/8" OD COPPER SWEAT
3.) WATER SUPPLY	2-5/8" OD COPPER SWEAT
4.) REFRIGERANT RETURN	

45.875 X 16.75 X 17.875

